

## Laser Diode Socket

### Round Socket pin type

#### Specifications (Typical example)

Dielectric Strength: AC500V RMS 1min  
Insulation Resistance: 500MΩmin  
Contact Resistance: 15mΩ max  
Current rating : 1.0 A  
Operating Temperature: -55°C~+150°C  
(In case of Gold plating Contact)

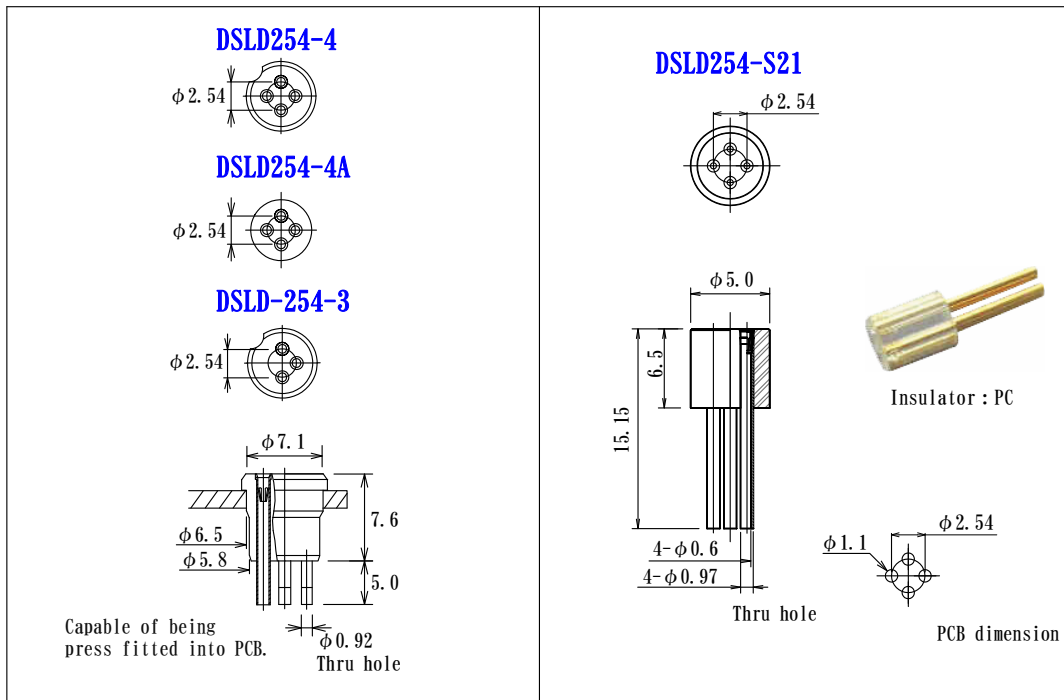
#### Material

Sleeve : Brass, Tin plating over Ni  
Contact : Beryllium, Gold plating over Ni  
Insulator: Teflon PC etc

2.54mm pitch circle

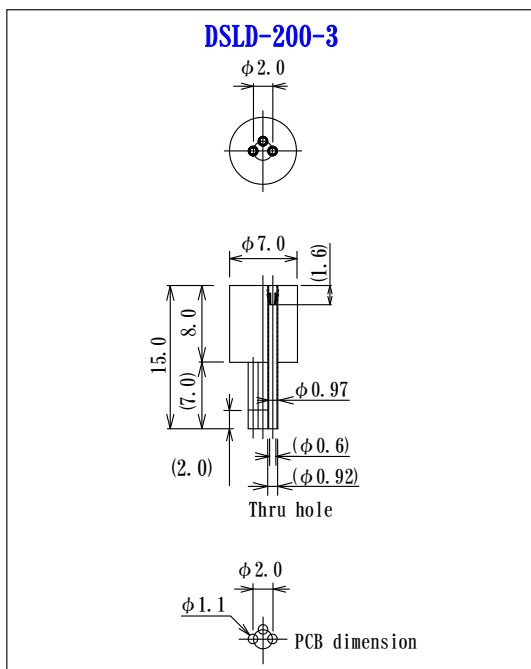
●Suitable for packages including T0-18, T0-46, T0-52, T0-72.  
(Some package might not be usable. Please call us)

Acceptable lead dia.  $\phi 0.42/0.0165'' \sim \phi 0.48/0.0189''$



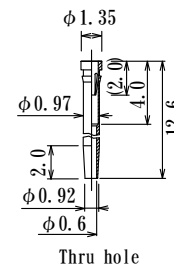
2.0mm pitch circle

Acceptable lead dia.  $\phi 0.42/0.0165'' \sim \phi 0.48/0.0189''$

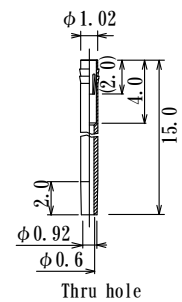


(example)

NSP126-GG



NZP10-GG



Custom order Cable